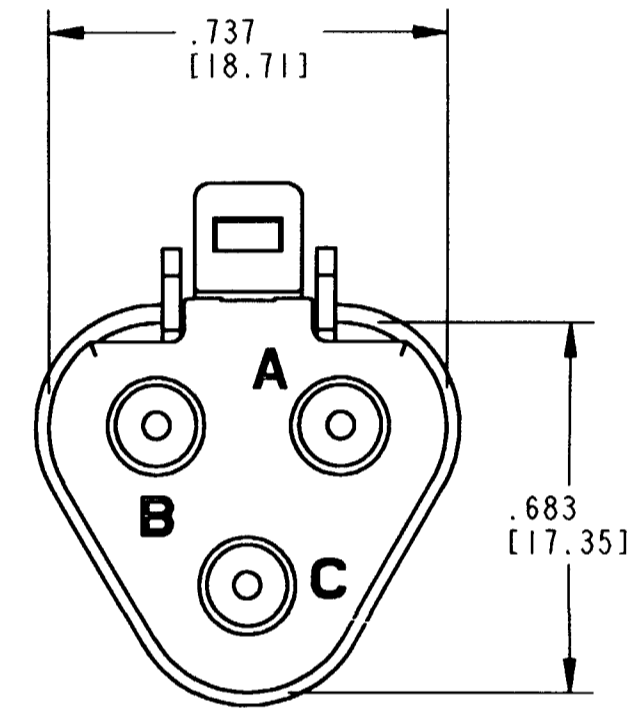
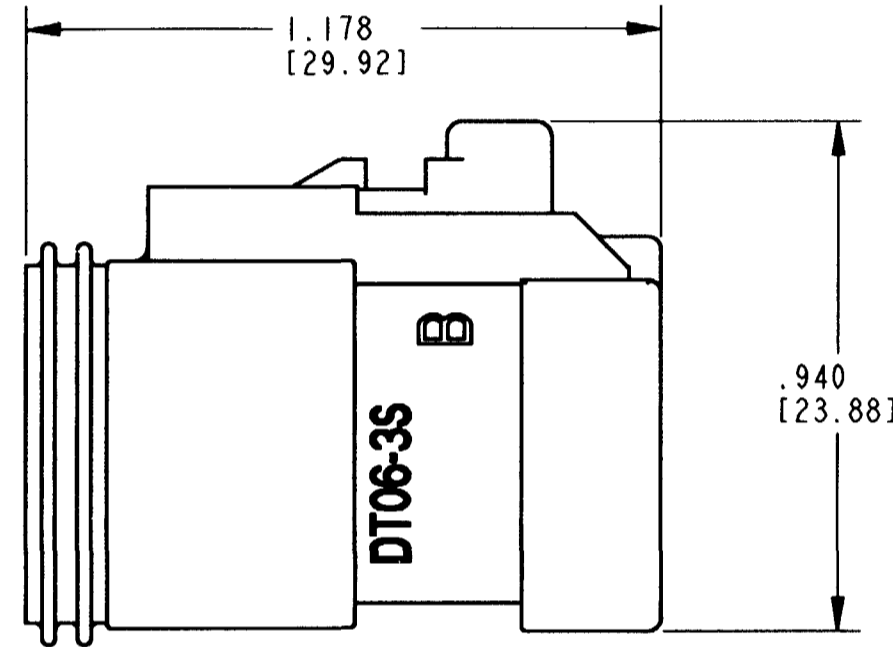
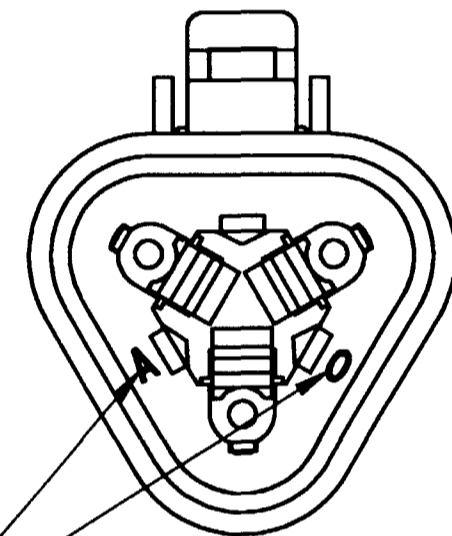


REV  
B DT06-3S-E003

REVISIONS			
SYM	DESCRIPTION	DATE	APPROVED
NC	NEW RELEASE PER E.O. A09342	9/6/90	J.A.
A	REVISED PER E.O. P17381	8-20-01	RDR
B	REVISED PER E.O. P20338	11-5-09	RDR



DATE CODE: YEAR TO BE REPRESENTED BY LAST NUMERICAL DIGIT. EX: 0 = 2000. MONTH USES SEQUENTIAL ALPHA CHARACTERS. EX: A = JANUARY.

CONTACT SIZE	MIN. INSUL. O.D.	MAX. INSUL. O.D.	WIRE RANGE [mm <sup>2</sup> ] REF ONLY <sup>3</sup>
16	.088 [2.24]	.145 [3.68]	14-20 AWG 2.0-0.5

- 6. MATERIAL - SHELL: PLASTIC  
SEALS: RUBBER
  - 5. THIS PLUG MATES WITH DT04-3P-\*\*\*\* RECEPTACLE. (\*\*\*\* = ALL MODIFICATIONS).
  - 4. THIS CONNECTOR CAN PASS THROUGH A ONE INCH HOLE.
  - 3. FOR WIRE AND CONTACT SPECIFICATION AND APPLICATIONS, SEE ENVELOPE DRAWINGS 0425-015-0000 AND 0425-017-0000.
  - 2. ALL DIMENSIONS ARE ±0.025 [.64] UNLESS OTHERWISE SPECIFIED.
- NOTES: 1. ALL DIMENSIONS ARE IN INCHES [MILLIMETERS].

SIGNATURE & DATE	
DR	T. YOHANNES 26 JUL 01
CHK	<i>[Signature]</i> 11/5/09
PE	<i>[Signature]</i> 11/21/09
APPD	<i>[Signature]</i> 11-4-09
SCALE	NONE WT

3 WAY PLUG  
E003 MOD.  
DT SERIES

ENVELOPE

EP	MATL. CODE
3850 INDUSTRIAL AVE. HEMET, CA 92545	
<b>B DT06-3S-E003</b>	
DWG SIZE	CODE 11139 SHEET 1 OF 1